

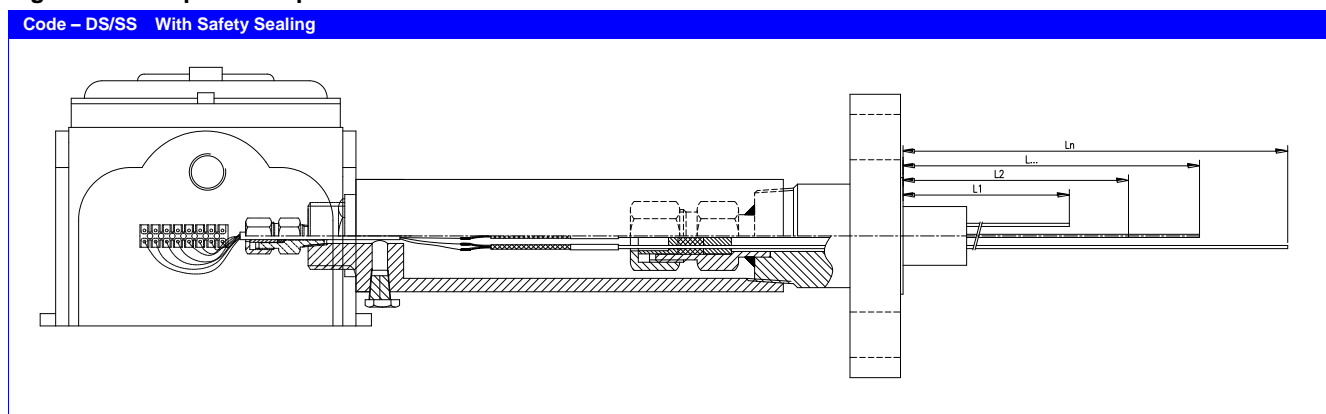
ORDERING INFORMATION - MODEL IS81R

Model	Product Description		
IS81R	Series IS81R Safety Sealing Multipoint Thermoresistance without Thermowell -Insert with Mineral Insulation		
Code	Explosion Proof Rating		
1	Standard		
2	EExd IIC T6 Flameproof Approval acc. EN 50018		
3	EEx ia IIC T6 Intrinsically Safety acc. EN 50020		
Code	Sensor Type	Temperature Range [°C]	
D	Pt100 – DIN/IEC 60751	-200 to 600	
X	Other		
Code	Number of Measurement Points		
02	2		
03	3		
04	4		
05	5		
06	6		
XX	Other		
Code	Precision Class	Tolerance	
A	Class A	±[0.15+0.002 t] °C	
B	Class B	±[0.30+0.005 t] °C	
Code	Number of Elements – Electrical Circuit		
13	Single - 3 Wires		
14	Single - 4 Wires		
23	Double - 3 Wires		
24	Double - 4 Wires (For d ≥ 6 mm diameter. Only)		
Code	Sheath Material		
A10	AISI 316 (DIN1.4401)		
A10	AISI 316Ti (DIN1.4571)		
XX	Other		
Code	Assembly Type		
DS	with Double Safety Sealing Assembly		
SS	with Single Safety Sealing Assembly		
Code	Connection Enclosure Type	IP Rating	
G	GUB Standard Series Stainless Steel Junction Box	67	
E	GUB EEx'd/e Series Aluminium Junction Box	67	
X	Other		
Code	Wire Entry		
N1	1/2" NPT F		
N2	3/4" NPT F		
N3	1" NPT F		
N4	1-1/2" NPT F		
N5	2" NPT F		
XX	Other		
Code	Number of Wire Entry		
01	1		
02	2		
03	3		
04	4		
XX	Other		
Code	Process Connection Size		
U1	1"		
U2	1-1/2"		
U3	2"		
U4	3"		
U5	4"		
U6	5"		
U7	6"		
XX	Other		
Code	Flange Rating		
P1	ANSI 150 LBS		
P2	ANSI 300 LBS		
P3	ANSI 600 LBS		
P4	ANSI 900 LBS		
P5	ANSI 1500 LBS		
P6	ANSI 2500 LBS		
Code	Flange Finish		
RF	Raise Face		
FF	Flat Face		
RJ	Ring Joint Face		
XX	Other		

Code	Material of Process connection
A10	AISI 316(DIN1.4401)
A11	AISI 316Ti(DIN1.4571)
A12	AISI 316L(DIN1.4404)
A14	AISI 321(DIN1.4541)
A15	AISI 314(DIN1.4841)
A16	AISI 347(DIN1.4550)
A18	AISI 310(DIN1.4845)
A20	AISI 446(DIN1.4762)
A22	INCONEL 600(DIN2.4816)
A23	INCOLOY 800(DIN1.4876)
A24	Hastelloy C-276
A25	Hastelloy B
A26	Hastelloy C-4
A27	Monel 400
A28	Duplex
XXX	Other
Code	Extension Length, N [mm]
300	300
350	350
XXX	Other
Code	Insert Diameter, d [mm]
30	Ø3
45	Ø 4.5
60	Ø 6
80	Ø 8
X	Other
Code	Measurement Point Position, L1 to Ln
A	Equally Distributed Points
B	Customer Specified - Configuration Date Sheet Required
Code	Additional Options
G	Cable Gland
V	Leak Check Valve
P	Measurement point with removable Pad for Surface Temp. Measurement
W	Measurement point with Welding Pad for Surface Temp. Measurement
K	Measurement point with Knife Edge for Surface Temp. Measurement
B	Spring Bracket
L	Lead Pole
C	Fixing Compression Fitting
X	Other

Typical Model Number: IS81R 2 D 04 A 13 A10 DS E N3 01 U4 P3 RF A10 300 30 B G

Figure for Multipoint Temperature Measurement Thermoresistance



Optional Measurement Point Type

Welding Pad	Removable Pad	Spring Bracket

Model IS81R Multipoint Thermoresistance Configuration Date Sheet
Please Copy This Form, Complete it as Our Required, and Attached to Your Order

Customer Name: _____
 Address: _____
 Contact Person: _____
 Phone: _____ Fax: _____
 Date: _____ Number of Pages _____

Specification For Orde

Enclosure Type
 Selected as Standard Option in Model Structure
 Special Requirement: _____

Wire Entry
 Selected as Standard Option in Model Structure
 Special Requirement: _____

Process Connection
 Selected as Standard Option in Model Structure
 Special Requirement: _____

Measurement point Position Distribution
 Selected as Standard Option in Model Structure
 Special Requirement: _____

Measurement Point	Tag No.	Distance from Flange Face, mm	Temperature Range, °C
L1			
L2			
L3			
L4			
L5			
L6			
L7			
L8			
L9			
L10			
L11			
L12			
L13			
L14			
L15			
L16			
L17			
L18			
L19			
L20			

Model IS81R Multipoint Thermoresistance Configuration Date Sheet
Please Copy This Form, Complete it as Our Required, and Attached to Your Order

Customer Name: _____
 Address: _____
 Contact Person: _____
 Phone: _____ Fax: _____
 Date: _____ Number of Pages _____

Specification For Orde

Enclosure Type
 Selected as Standard Option in Model Structure
 Special Requirement: _____

Wire Entry
 Selected as Standard Option in Model Structure
 Special Requirement: _____

Process Connection
 Selected as Standard Option in Model Structure
 Special Requirement: _____

Measurement point Position Distribution
 Selected as Standard Option in Model Structure
 Special Requirement: _____

Measurement Point	Tag No.	Distance from Flange Face, mm	Temperature Range, °C
L1			
L2			
L3			
L4			
L5			
L6			
L7			
L8			
L9			
L10			
L11			
L12			
L13			
L14			
L15			
L16			
L17			
L18			
L19			
L20			