

**ST100-Programmable Transmitter**

Full Scaleable 2-Wire

**Transmitter overview**

ST100 is the industry’s most advanced 2-wire transmitter. Able to fit in small, standard connection head, it is easily programmed via a personal computer with our software, ST100 can also be set by HART communicator or other HART related software.

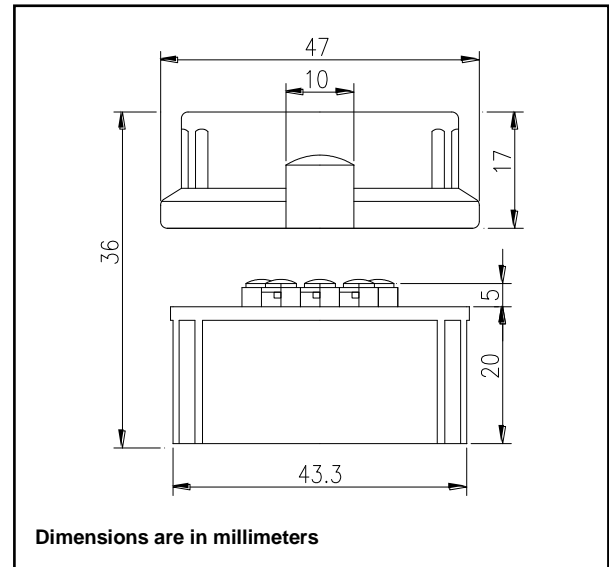
5 Year warranty

The ST transmitter converts the signal from thermoresistance, thermocouples or voltage sensors into a load-independent direct current 4-20mA signal corresponding to the sensor characteristic.

The “Plug-in” display can be selected.

**Technical Specifications**

Accuracy	Typical 0.1%
Power Supply	10 – 40 VDC
Supply Effect	0.001%/V
Input RTD	Pt100, Pt250, Pt500, Pt1000, Ni100, Ni500, Ni1000, Cu10, Cu100,ohm
Input T/C	K,J,E,N,T,L,U,R,S,B,mV
Input Voltage	0-1000mV
Input Resistance	0-9999 Ohm
Linearization	On/off
Max. Ripple	10 V PP. Min Vbat = 10VDC
Zero Drift	±0.01%/0°C or ±0.02°C /°C
Span Drift	±0.005%/0°C or ±0.01°C /°C
Long Term Drift	±0.05%/Year
Cold Junction Drift	±0.01°C/°C
Power Supplier Effect	±0.001%/V
Excitation Current, RTD	0.1 mA
Sensor Lead Resistance, RTD	500 Ohm max.
Sensor Lead Resistance Effect	0.001°C /Ohm
Sensor Lead Resistance, T/C	10,000 Ohm max.
Open circuit Detection	Upscale / downscale
Load Capability	Vbat – 10V /20 mA
Startup Time	±10 Sec.
Warmup Time	5 Min.
Isolation	500 VDC/1500VAC
Ambient Operating Temp	-40... +85°C
Storage Temperature	-40... +100°C
Housing Material	Zina Alloy (ZAMAK5) epoxy coated
Housing diam.	43mm Dia. X 27mm H
Housing diam. with Display	43mm Dia. X 36mm H
Explosion Protection	Exia IIC T6 (Tamb ≤50°C)
Cable Entry	1/2" NPT Standard



**Order Information**

Model	Product Discription
ST100	Full scale 2-wire temperature transmitter
Code	Adjustable
3	Programmable
Code	Input Signal
R	RTD
T	Thermocouple
V	Voltage
O	Resistance
U	Universal input
Code	Output signal
1	4-20mA HART
2	4-20mA
Code	Options
EI	Intrinsically safety proof Exia IIC T6
ID	Plug-in loop-powered readout
SW	Connection head with window
ET	Exd IIC T6 head
EW	Exd IIC T6 head with window
ES	Movement Connection Head with Window
EM	Movement Connection Head
B2	With 2 inch "U" bolt
R1	DIN Raw Install
M20	Double M20X1.5
CT	SIL 2 Certificate