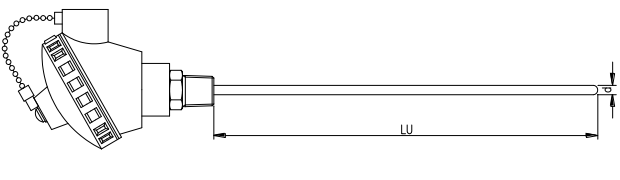
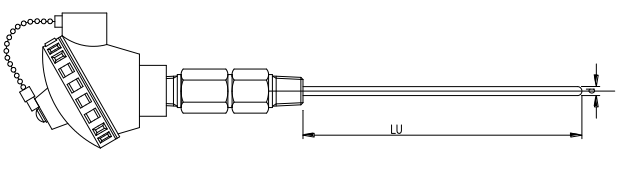
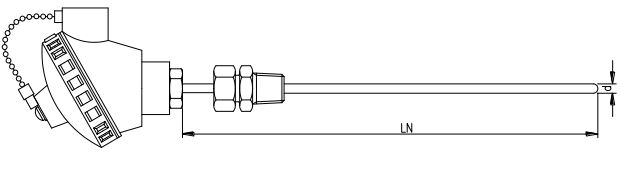
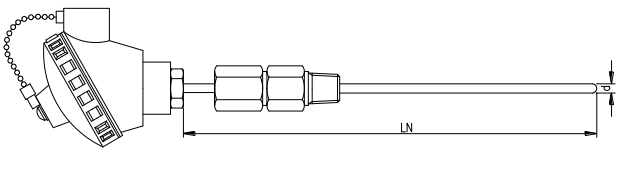
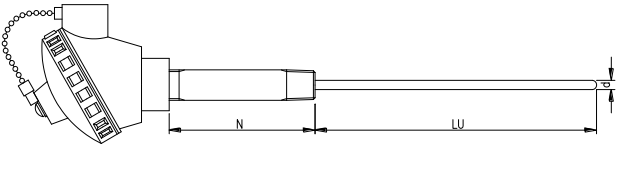
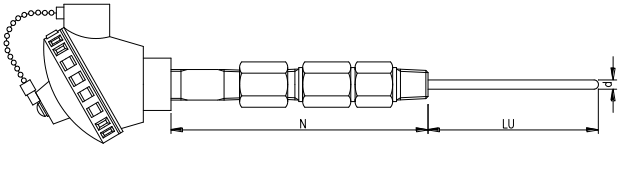
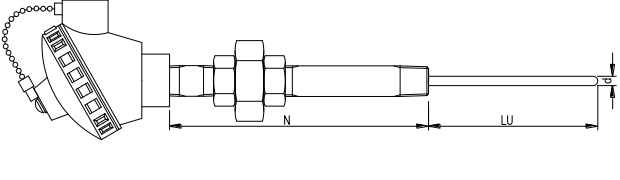
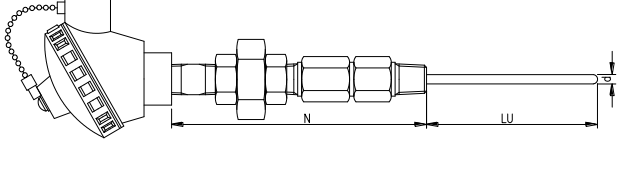
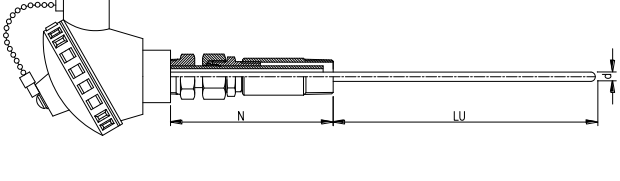


MODEL INFORMATION - IS10R

Model	Product Description		
IS10R	Series IS10R Thermoresistance -Insert with Mineral Insulation		
Code	Explosion Proof Rating		
1	Standard		
2	EEx d IIC T6 Flameproof Approval acc. EN50018		
3	EEx ia IIC T6 Intrinsically Safety acc. EN 50020		
Code	Sensor Type	TCR [$\Omega/\Omega/^{\circ}C$]	Temperature Range [$^{\circ}C$]
D	Pt100-DIN/IEC 60751	0.003850	-200 to +600
J	JPt100-JIS 1604-1981	0.003916	-200 to +600
X	Other		
Code	Precision Class	Tolerance	
A	DIN/IEC Class A	$\pm[0.15+0.002 t]$ $^{\circ}C$	
B	DIN/IEC Class B	$\pm[0.30+0.005 t]$ $^{\circ}C$	
D	1/3 DIN Class B	$\pm[0.10+0.005 t]$ $^{\circ}C$	
E	1/10 DIN Class B	$\pm[0.03+0.005 t]$ $^{\circ}C$	
X	Other		
Code	Number of Elements- Electrical Circuit		
13	Single - 3 Wires		
14	Single - 4 Wires		
23	Double - 3 Wires		
24	Double - 4 Wires (For ≥ 6 mm diameter. Only)		
X	Other		
Code	Insert Diameter d		
30	$\varnothing 3$ mm		
45	$\varnothing 4.5$ mm		
60	$\varnothing 6$ mm		
80	$\varnothing 8$ mm		
XX	Other		
Code	Sheath Material		
A10	AISI 316(DIN 1.4401)		
A11	AISI 316Ti(DIN 1.4571)		
XXX	Other		
Code	Assembly Type	Material	Min. Extension Length N [mm]
D1	Direct Mount Assembly	AISI 316 (DIN 1.4401)	
S1	Sliding Compression Fitting Assembly	AISI 316 (DIN 1.4401)	
N1	Nipple Assembly	AISI 316 (DIN 1.4401)	120
U1	Nipple-Union (1/2 NPT) -Nipple Assembly	AISI 316 (DIN 1.4401)	120
T1	Telescopic Lag Assembly	AISI 316 (DIN 1.4401)	120
D21 ⁽¹⁾	Direct Mount with Safety Sealing Assembly	AISI 316 (DIN 1.4401)	
S2 ⁽¹⁾	Sliding Compression Fitting with Safety Sealing Assembly	AISI 316 (DIN 1.4401)	
N2 ⁽¹⁾	Nipple with Safety Sealing Assembly	AISI 316 (DIN 1.4401)	200
U2 ⁽¹⁾	Nipple-Union (1/2 NPT)-Nipple with Safety Sealing Assembly	AISI 316 (DIN 1.4401)	200
T2 ⁽¹⁾	Telescopic Lag with Safety Sealing Assembly	AISI 316 (DIN 1.4401)	200
XX	Other		
Code	Connection Head	IP Rating	
K	KNE, Aluminum	67	
S	KNE, AISI 316(DIN 1.4401)	67	
E	EEx'd, Aluminum	67	
X	Other		
Code	Wire Entry		
N	1/2" NPT F		
M	M20x1.5 F		
X	Other		
Code	Extension Length "N" [mm]		
NNN	Without Extension		
130	130 - Standard		
200	200		
XXX	Other		
Code	Process Connection / Material		
A1	Thread - 1/2" NPT M / AISI 316(DIN 1.4401)		
B1	Thread - 1/2" BSP M / AISI 316(DIN 1.4401)		
XX	Other		
Code	Insertion Length "LU" or Nominal Length "LN" [mm]		
0150	150		
WELL	Suit to Thermowell		
XXXX	Other		
Code	Additional Options		
G	With Cable Gland		
F	With Flange for Process Connection		
X	Other		
Typical Model Number: IS10R 3 D A 13 60 A10 U1 K N 130 A1 0500 G			

- (1) The Pressure Range of Safety Sealing Gland : Vacuum to 10,000PSIG (690 bar)
The Temperature Range of Safety Sealing Gland : -240 $^{\circ}C$ to +870 $^{\circ}C$

Figure for Standard-Application Thermoresistance

<p>Code - D1 Direct Mount Assemble</p> 	<p>Code - D2 Direct Mount with Safety Sealing Assemble</p> 
<p>Code - S1 Sliding Compression Fitting Assemble</p> 	<p>Code - S2 Sliding Compression Fitting with Safety Sealing Assemble</p> 
<p>Code - N1 Nipple Assemble</p> 	<p>Code - N2 Nipple with Safety Sealing Assemble</p> 
<p>Code - U1 Nipple-Union-Nipple Assemble</p> 	<p>Code - U2 Nipple-Union-Nipple with Safety Sealing Assemble</p> 
<p>Code - T1 Telescopic Lag Assemble</p> 	<p>Code - T2 Telescopic Lag with Safety Sealing Assemble</p> 